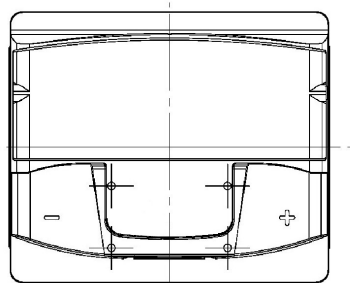
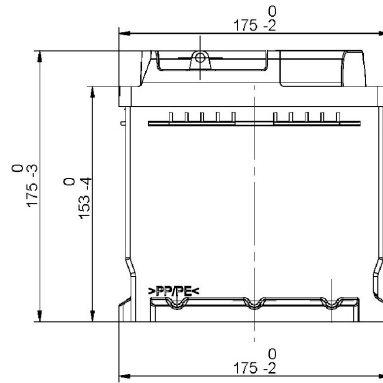
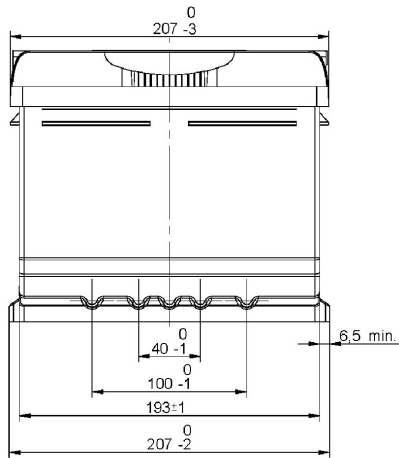


Central Article Code: LB1046C02-A
 Local Code: EA472

Created: 11/11/2013
 Modified: 20/12/2018



Final Outlook: LB102-A
 Approval date: 15/02/2014

PERFORMANCES

Voltage (V): 12 V
 C20 (Ah): 47.0 20 h
 Cranking (A): 450 EN
 Charge: WET
 Technology: Vented/Flooded
 Grid: Ca/Ca

STD. DIMENSIONS

Length (mm ± 2): 207
 Width (mm ± 2): 175
 Height (mm ± 2): 175
 Total Weight (kg ± 5%): 11.40

All figures show nominal values. Tolerances are according to EN50342 and applicable European Regulations.

CONTAINER

Type: LB1 GREY DARK
 Hold Down: B13
 H.D. Adapter: No

COVER

Type: Double with Rigi GREY DARK
 Polarity: ETN 0
 Terminals: EN taper post
 Terminal Adapter: No
 SOCI: No
 Ventilation: Central
 Filter: 2 Filters
 Lateral Plug: Standard Right side BLACK shape

PLUGS

Type: 1 x Vent Seale GREY DARK

HANDLES

Type: 1 x PSL AM GREY DARK

OTHERS

Degassing Tube: No