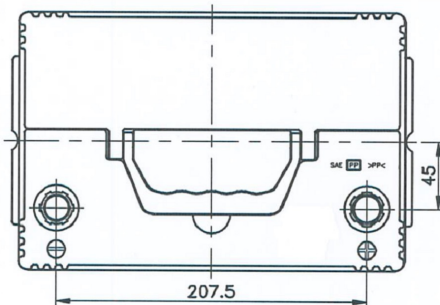
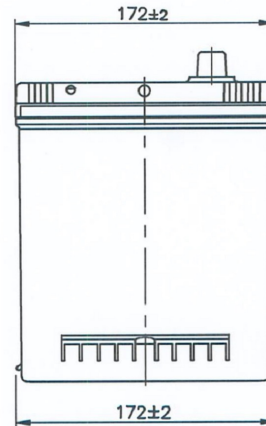
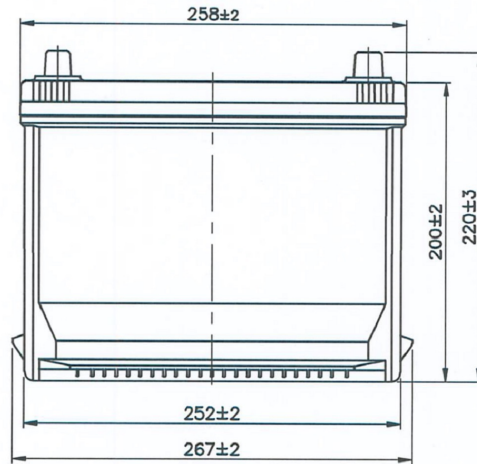


Central Article Code: D26063C03-A
 Local Code: EA754

Created: 11/11/2013
 Modified: 30/01/2015



| | |
|---------------|------------|
| Final Outlook | D2603-A |
| Approval date | 15/12/2013 |

PERFORMANCES

| | | |
|---------------|----------------|------|
| Voltage (V): | 12 V | |
| C20 (Ah): | 75.0 | 20 h |
| Cranking (A): | 630 | EN |
| Charge: | WET | |
| Technology: | Vented/Flooded | |
| Grid: | Ca/Ca | |

CONTAINER

| | | |
|---------------|--------------|-----------|
| Type: | D26 | GREY DARK |
| Hold Down: | Korean B1+B6 | |
| H.D. Adapter: | No | |

COVER

| | | |
|-------------------|----------------------------|--|
| Type: | Double with Inte GREY DARK | |
| Polarity: | ETN 0 | |
| Terminals: | EN taper post | |
| Terminal Adapter: | No | |
| SOCI: | No | |
| Ventilation: | Central | |
| Filter: | 2 Filters | |
| Lateral Plug: | No | |

STD. DIMENSIONS

| | |
|-------------------------|-------|
| Length (mm ± 2): | 270 |
| Width (mm ± 2): | 173 |
| Height (mm ± 2): | 222 |
| Total Weight (kg ± 5%): | 18.60 |

PLUGS

| | | |
|-------|----------------|-----------|
| Type: | 1 x Vent Seale | GREY DARK |
|-------|----------------|-----------|

HANDLES

| | | |
|-------|----------------|-----------|
| Type: | 1 x Integrated | GREY DARK |
|-------|----------------|-----------|

OTHERS

| | |
|-----------------|----|
| Degassing Tube: | No |
|-----------------|----|

All figures show nominal values. Tolerances are according to EN50342 and applicable European Regulations.