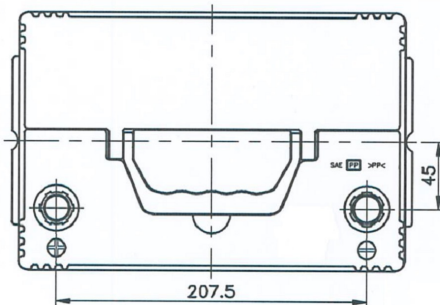
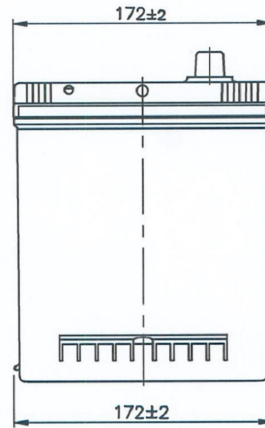
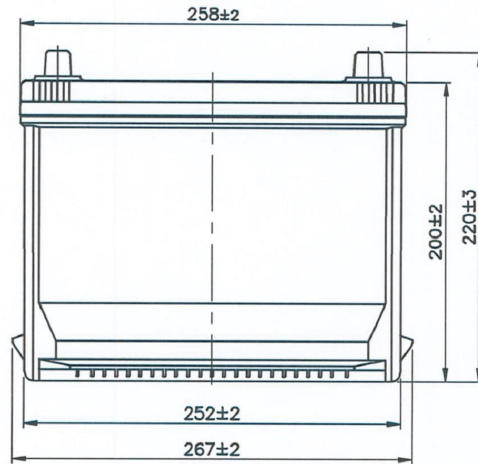


Central Article Code: D26063C04-A
 Local Code: EA755

Created: 11/11/2013
 Modified: 04/03/2014



Final Outlook	D2604-A
Approval date	15/12/2013

PERFORMANCES

Voltage (V):	12 V	
C20 (Ah):	75.0	20 h
Cranking (A):	630	EN
Charge:	WET	
Technology:	Vented/Flooded	
Grid:	Ca/Ca	

CONTAINER

Type:	D26	GREY DARK
Hold Down:	Korean B1+B6	
H.D. Adapter:	No	

COVER

Type:	Double with Inte GREY DARK	
Polarity:	ETN 1	
Terminals:	EN taper post	
Terminal Adapter:	No	
SOCI:	No	
Ventilation:	Central	
Filter:	2 Filters	
Lateral Plug:	No	

STD. DIMENSIONS

Length (mm ± 2):	270
Width (mm ± 2):	173
Height (mm ± 2):	222
Total Weight (kg ± 5%):	18.60

PLUGS

Type:	1 x Vent Seale	GREY DARK
-------	----------------	-----------

HANDLES

Type:	1 x Integrated	GREY DARK
-------	----------------	-----------

OTHERS

Degassing Tube:	No
-----------------	----

All figures show nominal values. Tolerances are according to EN50342 and applicable European Regulations.