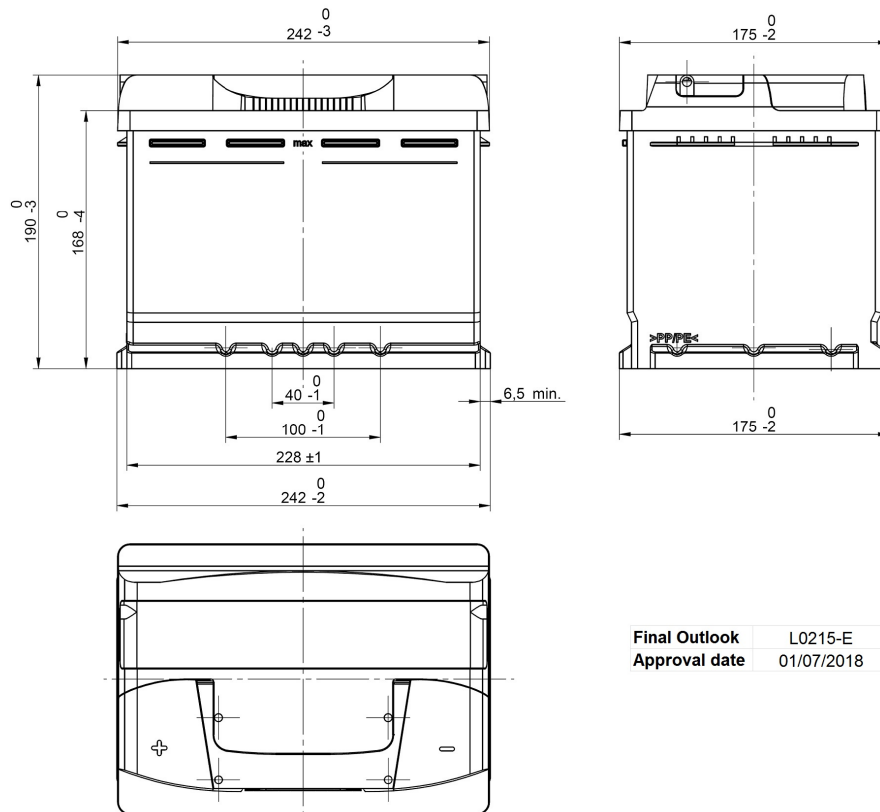


Central Article Code: L02054C15-E  
 Local Code: EB621

Created: 10/05/2018  
 Modified: 15/01/2019



Final Outlook	L0215-E
Approval date	01/07/2018

## PERFORMANCES

Voltage (V):	12 V	
C20 (Ah):	62.0	20 h
Cranking (A):	540	EN
Charge:	WET	
Technology:	Vented/Flooded	
Grid:	Ca/Ca	

## STD. DIMENSIONS

Length (mm ± 2):	242
Width (mm ± 2):	175
Height (mm ± 2):	190
Total Weight (kg ± 5%):	14.40

All figures show nominal values. Tolerances are according to EN50342 and applicable European Regulations.

## CONTAINER

Type:	L02	BLACK
Hold Down:	B13	
H.D. Adapter:	No	

## COVER

Type:	NPR	BLACK
Polarity:	ETN 1	
Terminals:	EN taper post	
Terminal Adapter:	No	
SOCI:	No	
Ventilation:	Central	
Filter:	2 Filters	
Lateral Plug:	Standard	Right side BLACK shape

## PLUGS

Type:	1 x NPR (Mani)	BLACK
-------	----------------	-------

## HANDLES

Type:	1 x NPR (Standard)	BLACK
-------	--------------------	-------

## OTHERS

Degassing Tube:	No
-----------------	----