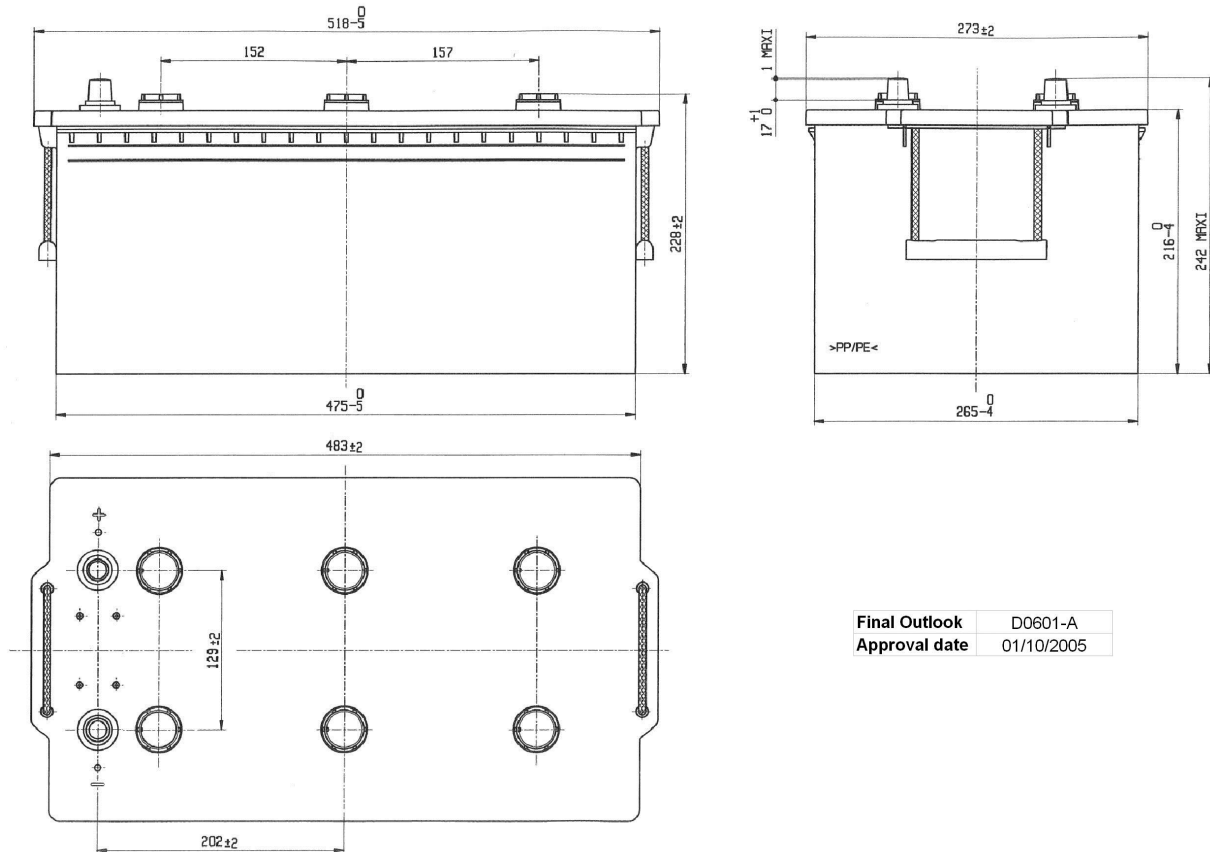


Central Article Code: D06120C01-A  
 Local Code: EB802

Created: 21/05/2014  
 Modified: 20/12/2018



Final Outlook	D0601-A
Approval date	01/10/2005

## PERFORMANCES

Voltage (V):	12 V	
C20 (Ah):	215.0	20 h
Cranking (A):	1200	EN
Charge:	WET	
Technology:	Vented/Flooded	
Grid:	Ca/Ca	

## CONTAINER

Type:	D06	BLACK
Hold Down:	B0	
H.D. Adapter:	No	

## COVER

Type:	Flat/Screw	BLACK
Polarity:	ETN 3	
Terminals:	EN taper post	
Terminal Adapter:	No	
SOCI:	No	
Ventilation:	Independent	
Filter:	No	
Lateral Plug:	No	

## STD. DIMENSIONS

Length (mm ± 2):	518
Width (mm ± 2):	279
Height (mm ± 2):	240
Total Weight (kg ± 5%):	54.90

## PLUGS

Type:	6 x M27	BLACK
-------	---------	-------

## HANDLES

Type:	2 x Rope (Rigid holde	BLACK
-------	-----------------------	-------

## OTHERS

Degassing Tube:	No
-----------------	----

All figures show nominal values. Tolerances are according to EN50342 and applicable European Regulations.