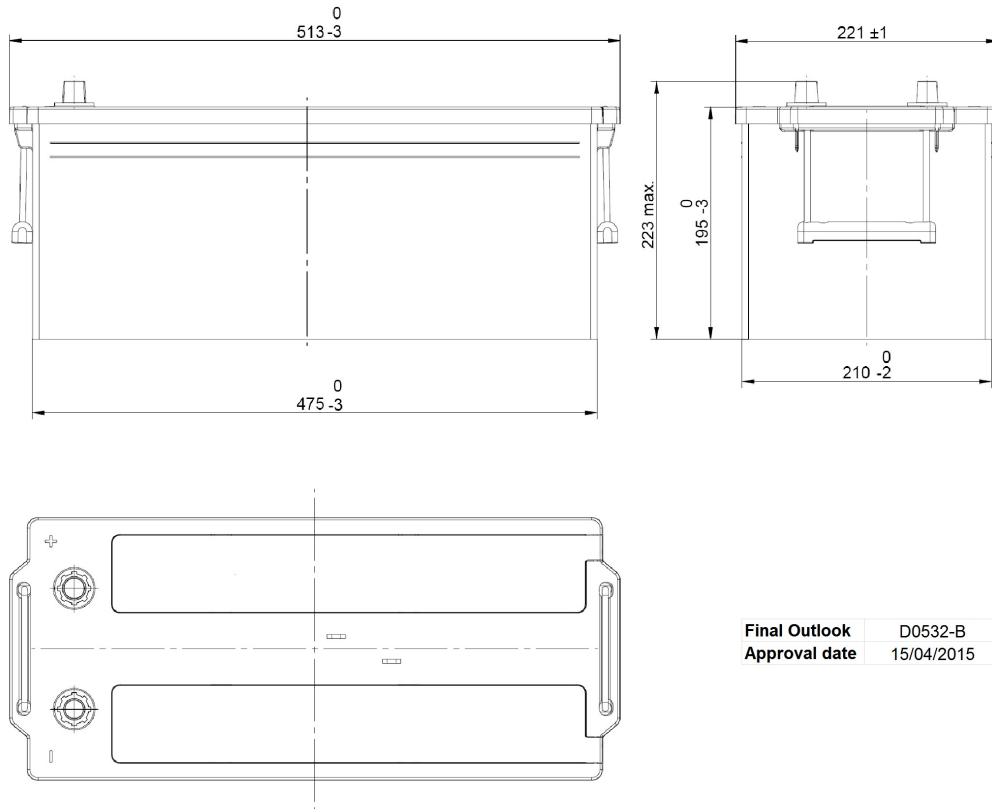


Central Article Code: D05139W32-B
 Local Code: EJ1723

Created: 11/01/2013
 Modified: 20/12/2018



Final Outlook	D0532-B
Approval date	15/04/2015

PERFORMANCES		CONTAINER	
Voltage (V):	12 V	Type:	D05 BLACK
C20 (Ah):	172.0 20 h	Hold Down:	B0
Cranking (A):	1390 EN	H.D. Adapter:	No
Charge:	WET	COVER	
Technology:	Vented/Flooded	Type:	Flat/Press BLACK
Grid:	Hybrid	Polarity:	ETN 3
		Terminals:	EN taper post
		Terminal Adapter:	No
		SOCI:	No
		Ventilation:	Central
		Filter:	1 Filter per Vent
		Lateral Plug:	No
STD. DIMENSIONS		PLUGS	
Length (mm ± 2):	513	Type:	2 x VCL Vent BLACK
Width (mm ± 2):	223	HANDLES	
Height (mm ± 2):	223	Type:	2 x Rope (Rigid holde BLACK
Total Weight (kg ± 5%):	48.80	OTHERS	
		Degassing Tube:	No

All figures show nominal values. Tolerances are according to EN50342 and applicable European Regulations.