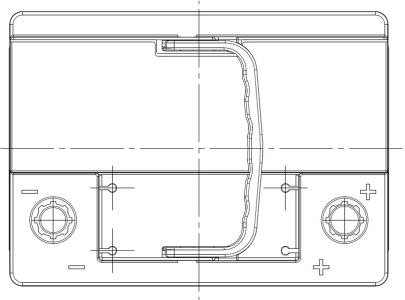
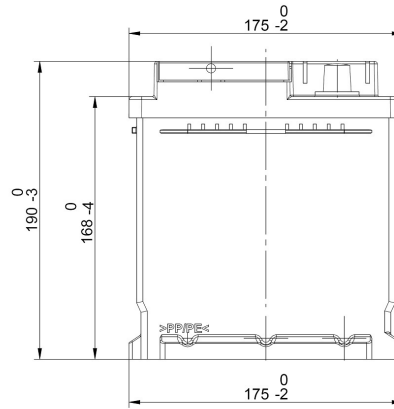
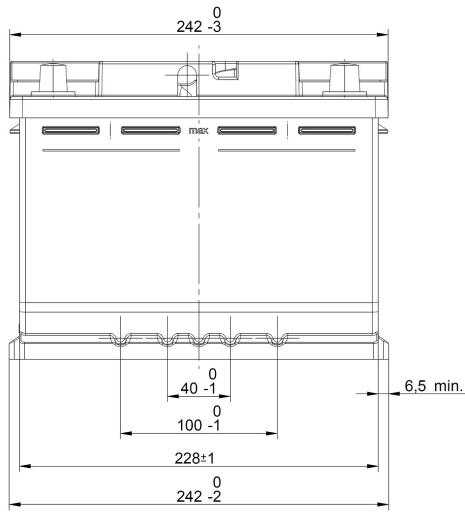


Central Article Code: L02067C69-C
 Local Code: EL600

Created: 30/01/2014
 Modified: 20/12/2018



Final Outlook	L0269-C
Approval date	15/02/2014

PERFORMANCES

Voltage (V): 12 V
 C20 (Ah): 60.0 20 h
 Cranking (A): 640 EN
 Charge: WET
 Technology: Vented/Flooded
 Grid: Ca/Ca

STD. DIMENSIONS

Length (mm ± 2): 242
 Width (mm ± 2): 175
 Height (mm ± 2): 190
 Total Weight (kg ± 5%): 17.50

All figures show nominal values. Tolerances are according to EN50342 and applicable European Regulations.

CONTAINER

Type: L02 BLACK
 Hold Down: B13
 H.D. Adapter: No

COVER

Type: Double with Inte BLACK
 Polarity: ETN 0
 Terminals: EN taper post
 Terminal Adapter: No
 SOCI: No
 Ventilation: Central
 Filter: 1 Filter at Left
 Lateral Plug: No

PLUGS

Type: 1 x Vent Seale BLACK

HANDLES

Type: 1 x PSL OE Integrate BLACK

OTHERS

Degassing Tube: No