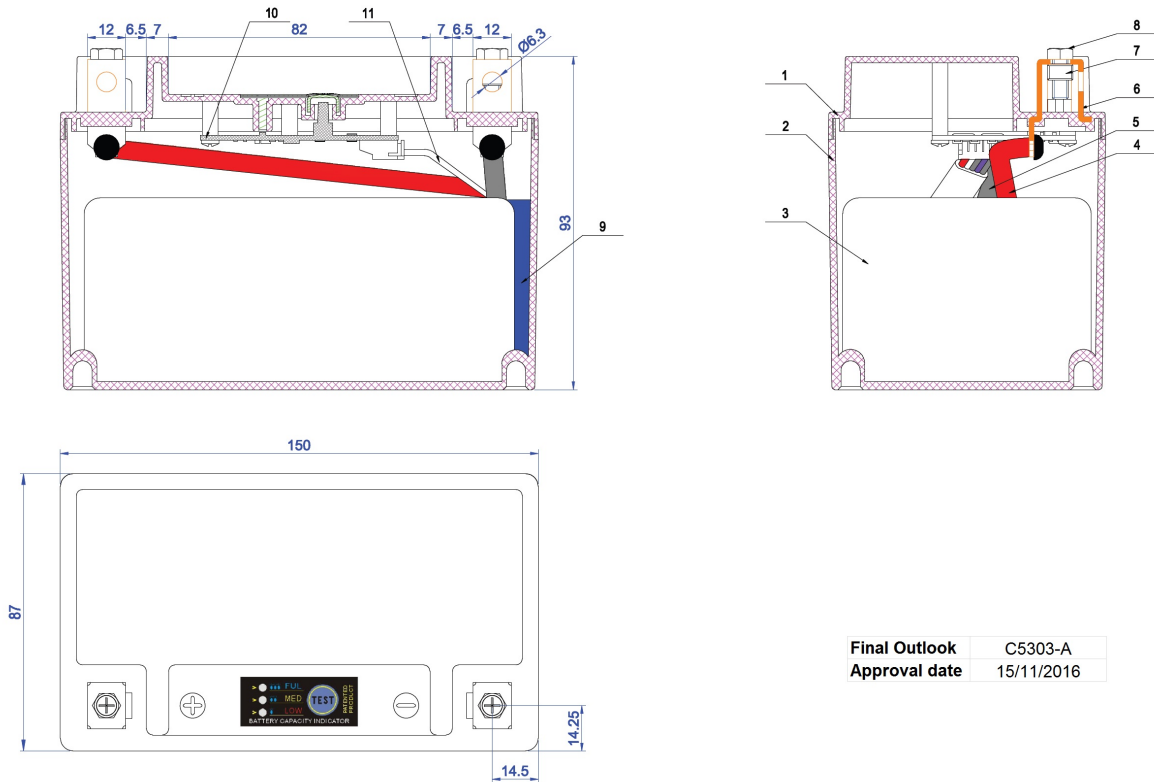


Central Article Code: C53024L03-A
 Local Code: ELTX14H

Created: 29/09/2016
 Modified: 13/12/2016



Final Outlook	C5303-A
Approval date	15/11/2016

PERFORMANCES

Voltage (V):	12 V	
C20 (Ah):	4.0	10 h
Cranking (A):	240	25° test
Charge:	CHARGED	
Technology:	Li-ion	
Grid:	LiFePO4	

STD. DIMENSIONS

Length (mm ± 2):	150
Width (mm ± 2):	90
Height (mm ± 2):	95
Total Weight (kg ± 5%):	0.90

All figures show nominal values. Tolerances are according to EN50342 and applicable European Regulations.

CONTAINER

Type:	C53	BLACK
Hold Down:	B0	
H.D. Adapter:	No	

COVER

Type:	Motorbike (centr ORANGE (Li-ion MC))
Polarity:	ETN 1
Terminals:	M12
Terminal Adapter:	No
SOCI:	Digital SOCI
Ventilation:	Central
Filter:	No
Lateral Plug:	No

PLUGS

Type:	1 x Not define	NOT SIGNIFICANT
-------	----------------	-----------------

HANDLES

Type:	None
-------	------

OTHERS

Degassing Tube:	No
-----------------	----