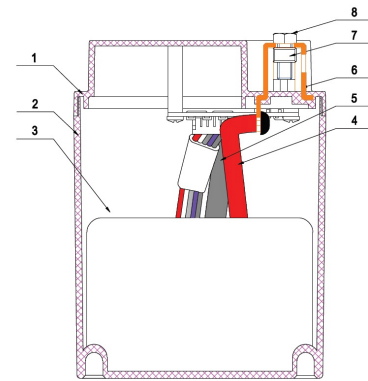
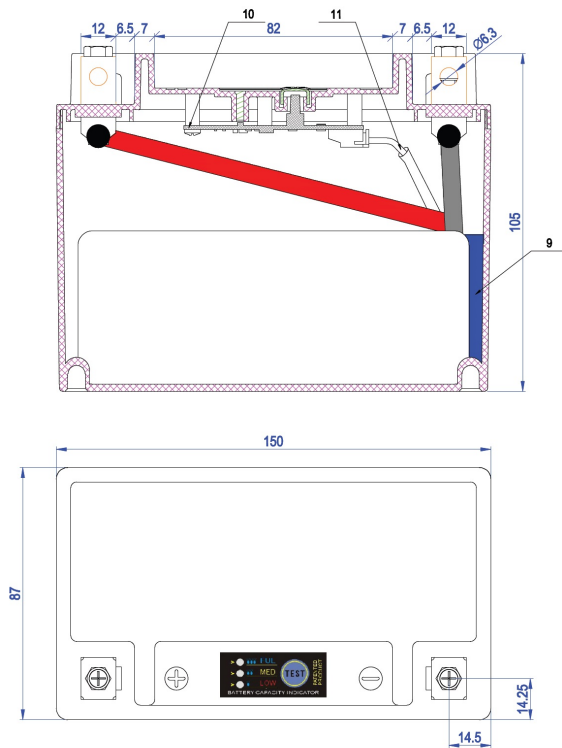


Central Article Code: C54018L03-A
 Local Code: ELTX9

Created: 29/09/2016
 Modified: 29/09/2016



| | |
|---------------|------------|
| Final Outlook | C5403-A |
| Approval date | 15/11/2016 |

PERFORMANCES

| | | |
|---------------|---------|----------|
| Voltage (V): | 12 V | |
| C20 (Ah): | 3.0 | 10 h |
| Cranking (A): | 180 | 25° test |
| Charge: | CHARGED | |
| Technology: | Li-ion | |
| Grid: | LiFePO4 | |

STD. DIMENSIONS

| | |
|-------------------------|------|
| Length (mm ± 2): | 150 |
| Width (mm ± 2): | 90 |
| Height (mm ± 2): | 105 |
| Total Weight (kg ± 5%): | 0.70 |

All figures show nominal values. Tolerances are according to EN50342 and applicable European Regulations.

CONTAINER

| | | |
|---------------|-----|-------|
| Type: | C54 | BLACK |
| Hold Down: | B0 | |
| H.D. Adapter: | No | |

COVER

| | |
|-------------------|--------------------------------------|
| Type: | Motorbike (centr ORANGE (Li-ion MC)) |
| Polarity: | ETN 1 |
| Terminals: | M12 |
| Terminal Adapter: | No |
| SOCI: | Digital SOCI |
| Ventilation: | Central |
| Filter: | No |
| Lateral Plug: | No |

PLUGS

| | | |
|-------|----------------|-----------------|
| Type: | 1 x Not define | NOT SIGNIFICANT |
|-------|----------------|-----------------|

HANDLES

| | |
|-------|------|
| Type: | None |
|-------|------|

OTHERS

| | |
|-----------------|----|
| Degassing Tube: | No |
|-----------------|----|