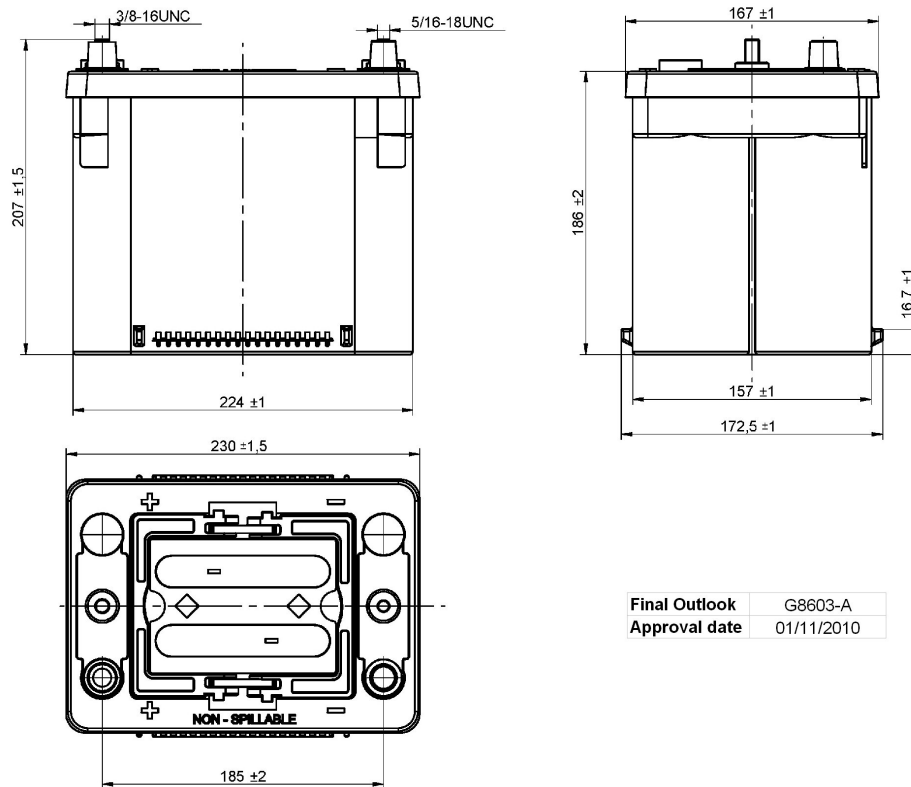


Central Article Code: G86070M03-A
 Local Code: EM 900

Created: 11/06/2010
 Modified: 03/05/2018



| | |
|---------------|------------|
| Final Outlook | G8603-A |
| Approval date | 01/11/2010 |

PERFORMANCES

| | | |
|---------------|---------|------|
| Voltage (V): | 12 V | |
| C20 (Ah): | 42.0 | 20 h |
| Cranking (A): | 700 | EN |
| Charge: | CHARGED | |
| Technology: | Orbital | |
| Grid: | Pb-Sn | |

STD. DIMENSIONS

| | |
|-------------------------|-------|
| Length (mm ± 2): | 230 |
| Width (mm ± 2): | 173 |
| Height (mm ± 2): | 206 |
| Total Weight (kg ± 5%): | 15.80 |

All figures show nominal values. Tolerances are according to EN50342 and applicable European Regulations.

CONTAINER

| | | |
|---------------|-----|-------|
| Type: | G86 | BLACK |
| Hold Down: | B7 | |
| H.D. Adapter: | No | |

COVER

| | | |
|-------------------|------------------------------|-------|
| Type: | Maxxima/Orbital | BLACK |
| Polarity: | ETN 1 | |
| Terminals: | SAE M 3/8"- 5/16" taper&stud | |
| Terminal Adapter: | No | |
| SOCI: | No | |
| Ventilation: | Central | |
| Filter: | 2 Filters | |
| Lateral Plug: | No | |

PLUGS

| | | |
|-------|---------------|-------|
| Type: | 6 x Valve+Cov | BLACK |
|-------|---------------|-------|

HANDLES

| | | |
|-------|----------------|-------|
| Type: | 2 x Integrated | BLACK |
|-------|----------------|-------|

OTHERS

| | |
|------------------------------|----|
| Degassing Tube: | No |
| 3/8-5/16 nuts in plastic bag | |