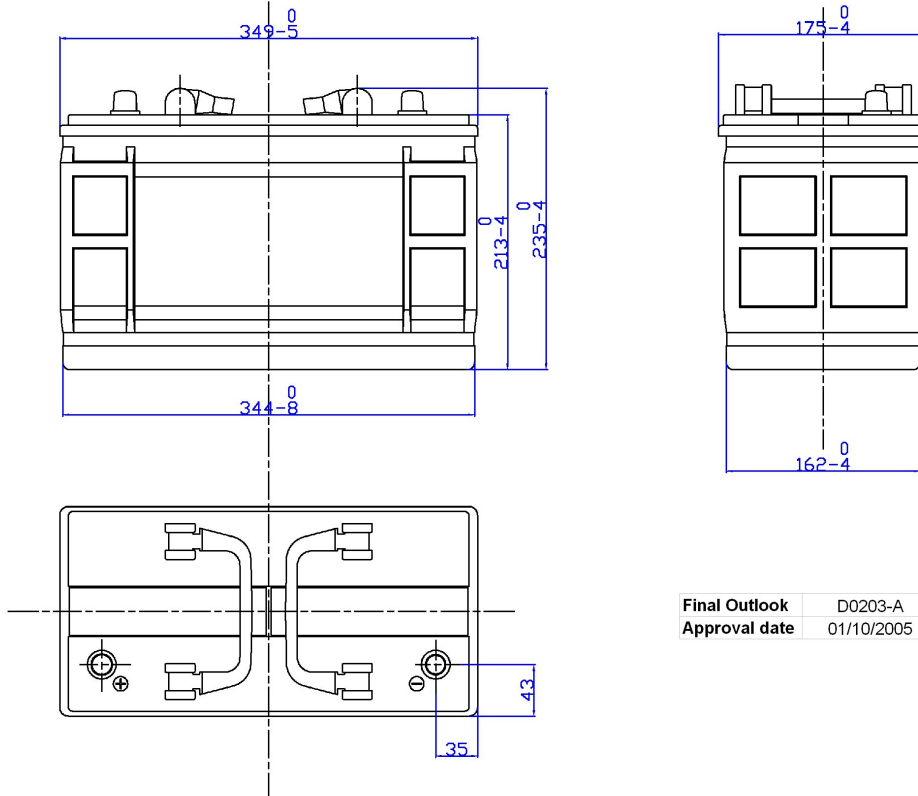


Central Article Code: D02072C03-A  
 Local Code: EN 850

Created: 30/10/2018  
 Modified: 30/10/2018



PERFORMANCES		CONTAINER	
Voltage (V):	12 V	Type:	D02 BLACK
C20 (Ah):	110.0 20 h	Hold Down:	B0
Cranking (A):	720 EN	H.D. Adapter:	No
Charge:	WET	COVER	
Technology:	Vented/Flooded	Type:	Flat/Press BLACK
Grid:	Ca/Ca	Polarity:	ETN 1
		Terminals:	EN taper post
		Terminal Adapter:	No
		SOCI:	No
		Ventilation:	Independent
		Filter:	No
		Lateral Plug:	No
STD. DIMENSIONS		PLUGS	
Length (mm ± 2):	349	Type:	2 x Vent BLACK
Width (mm ± 2):	175	HANDLES	
Height (mm ± 2):	235	Type:	2 x Rigid BLACK
Total Weight (kg ± 5%):	25.40	OTHERS	
		Degassing Tube:	No

All figures show nominal values. Tolerances are according to EN50342 and applicable European Regulations.