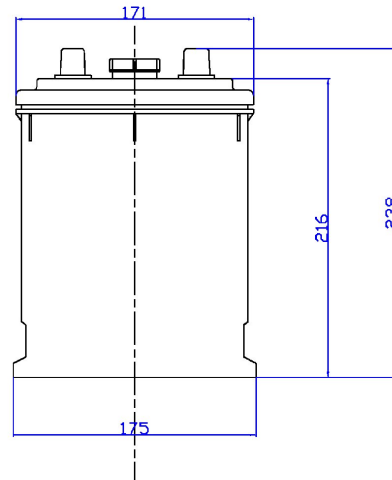
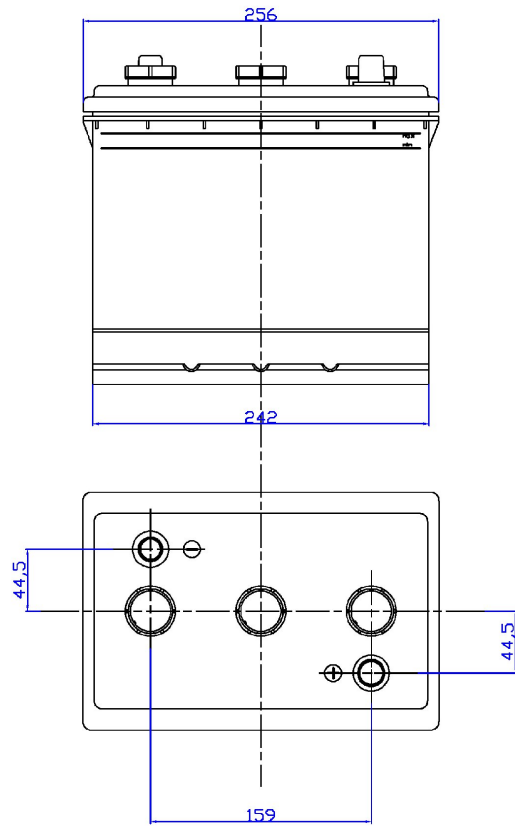


Central Article Code: M04090W01-A
 Local Code: EU 140-6

Created: 07/09/2005
 Modified: 04/03/2014



Final Outlook	M0401-A
Approval date	01/07/2006

PERFORMANCES

Voltage (V):	6 V	
C20 (Ah):	140.0	20 h
Cranking (A):	900	EN
Charge:	WET	
Technology:	Vented/Flooded	
Grid:	Hybrid	

STD. DIMENSIONS

Length (mm ± 2):	257
Width (mm ± 2):	175
Height (mm ± 2):	236
Total Weight (kg ± 5%):	18.40

All figures show nominal values. Tolerances are according to EN50342 and applicable European Regulations.

CONTAINER

Type:	M04	BLACK
Hold Down:	B1	
H.D. Adapter:	No	

COVER

Type:	Flat/Screw	BLACK
Polarity:	ETN 0	
Terminals:	EN taper post	
Terminal Adapter:	No	
SOCI:	No	
Ventilation:	Independent	
Filter:	No	
Lateral Plug:	No	

PLUGS

Type:	3 x M27	BLACK
-------	---------	-------

HANDLES

Type:	None
-------	------

OTHERS

Degassing Tube:	No
-----------------	----