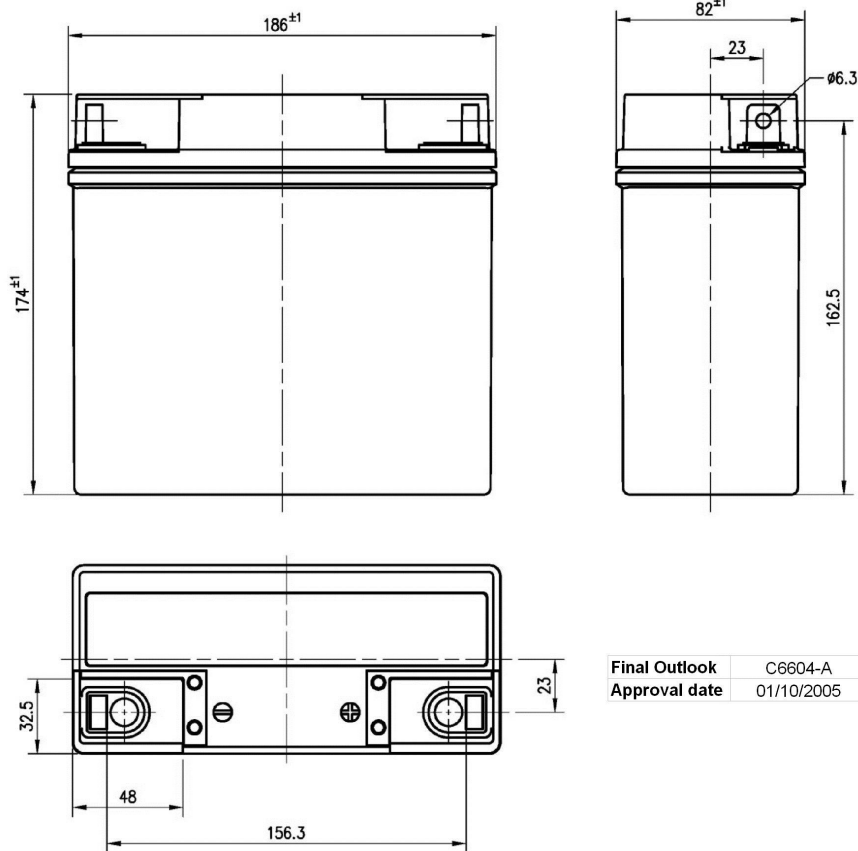


Central Article Code: C66017G04-A
 Local Code: GEL12-19

Created: 02/09/2005
 Modified: 03/05/2018



Final Outlook	C6604-A
Approval date	01/10/2005

PERFORMANCES

Voltage (V):	12 V	
C20 (Ah):	19.0	20 h
Cranking (A):	170	EN
Charge:	CHARGED	
Technology:	GEL	
Grid:	Ca/Ca	

CONTAINER

Type:	C66	GREY MEDIUM
Hold Down:	B0	
H.D. Adapter:	No	

COVER

Type:	DIN	GREY MEDIUM
Polarity:	ETN 0	
Terminals:	M11	
Terminal Adapter:	No	
SOCI:	No	
Ventilation:	Independent	
Filter:	No	
Lateral Plug:	No	

STD. DIMENSIONS

Length (mm ± 2):	185
Width (mm ± 2):	80
Height (mm ± 2):	170
Total Weight (kg ± 5%):	6.50

PLUGS

Type:	6 x Valve+Cov	GREY MEDIUM
-------	---------------	-------------

HANDLES

Type:	None
-------	------

OTHERS

Degassing Tube:	No
-----------------	----

All figures show nominal values. Tolerances are according to EN50342 and applicable European Regulations.