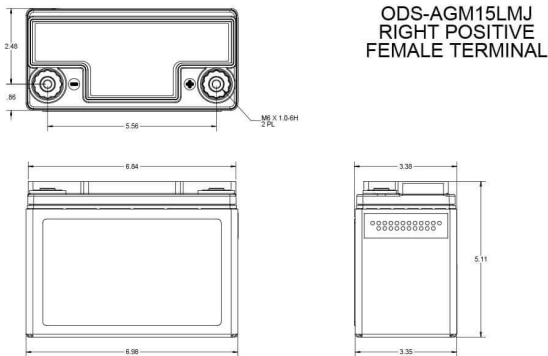


Drawings & Terminal Position



Handling and Storage

- Can be mounted or stored in any orientation except inverted
- 2-years storage life at 77°F (25°C) without needing to charge. Recharge when the OCV is <12.2V (50% SOC).
- Classified as non-spillable and approved as non-hazardous cargo for ground, sea and air transportation in accordance with the requirements of IMDG (International Maritime code for Dangerous Goods) and ICAO (International Civil Aviation Organisation)

Charging and Self-Discharge

| | |
|--|----------------|
| Type of charging curve | IUU |
| Charger voltage at 68°F (20°C) | 14.4V to 14.8V |
| Self-discharge per month at 68°F (20°C) | 1.25% |
| Self-discharge per month at 104°F (40°C) | 5% |
| 80% depth of discharge cycles | 400 |

Technical Data Sheet

ODS-AGM15LMJ

(PC545MJ)

Battery Type

- Group 15 Absorbed Glass Mat (AGM) battery with Thin Plate Pure Lead (TPPL) and metal jacket
- Up to 400 cycles at 80% depth of discharge
- Advanced dual purpose battery for engine start and deep cycle use

Power and Performance

| | |
|---|---------------|
| Voltage | 12V |
| Pulse (5 second) Hot Cranking Amps (PHCA) | 460A |
| Cold Cranking Amps (CCA) | 150A |
| HCA | 280A |
| MCA | 220A |
| 20Hr Nominal Capacity (Ah) | 13Ah |
| 10Hr Nominal Capacity (Ah) | 12Ah |
| Reserve Capacity Minutes | 18 mins |
| Terminal | M6 Receptacle |
| Torque Spec in-lbs (Nm max) | 50 (5.6) |
| Internal Resistance (mΩ) | 10 mΩ |
| Short Circuit (A) | 1200A |

Dimensions and Weight

| | |
|-----------------------------|-------------------|
| Length | 7 in / 178 mm |
| Width | 3.4 in / 86 mm |
| Height (terminals included) | 4.9 in / 124 mm |
| Height (container) | 5.2 in / 132 mm |
| Weight | 12.4 lbs / 5.6 kg |

Temperature

| | |
|-----------------------------|--------------------------------|
| Operating temperature range | -40°F / -40°C to 176°F / +80°C |
| Optimum storage temperature | 68°F / +20°C |

Accreditations

The management systems governing the manufacture of this product are ISO 9001 and ISO 14001 certified.

*Cold Start Performance S.A.E J537 Apr 2016



EnerSys World Headquarters
2366 Bernville Road
Reading, PA 19605, USA
Tel: +1-800-964-2837

EnerSys EMEA
EH Europe GmbH
Baarerstrasse 18
6300 Zug, Switzerland

EnerSys Asia
152 Beach Road
#11-08 Gateway East
Building
Singapore 189721
Tel: +65 6416 4800

Want more info?
Scan code to access
the ODYSSEY® Battery
Literature Library

